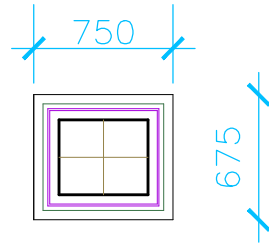
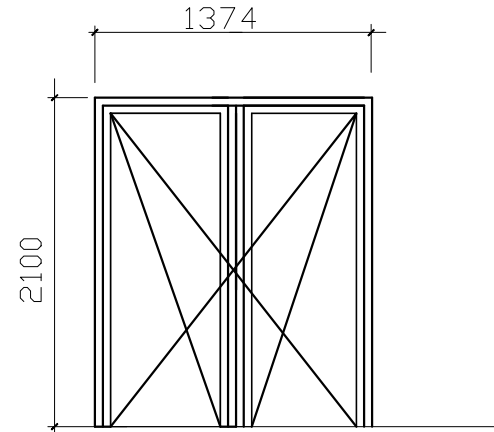


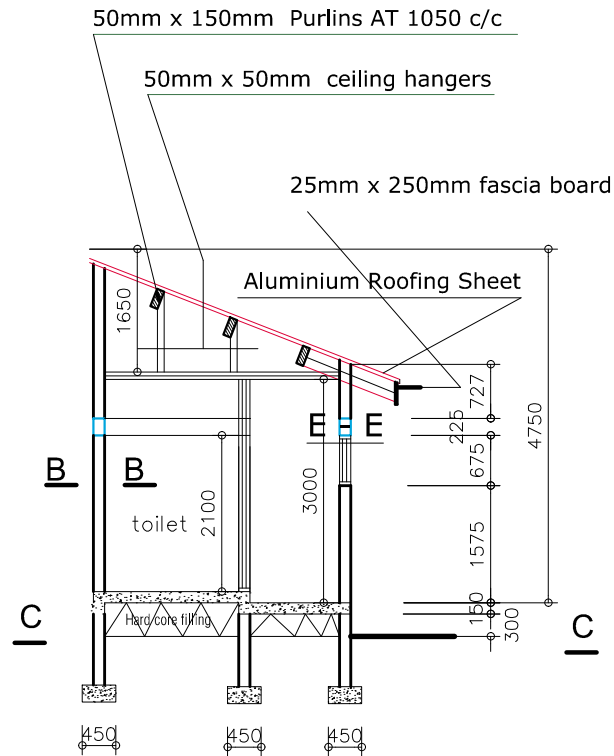
D2- 4nr.



V1- 8nr.



Dw1-2nr.



NOTES

PROJECT
CONSTRUCTION OF 4 - SEATER W/C FACILITY

CLIENT
GLOBAL COMMUNITIES

TITLE
Section and Door and Window schedule

LOCATION
NORTHERN REGION

DATE FEB, 2024	SCALE 1 : 100 1 : 50	JOB No
-------------------	-------------------------	--------

DRAWN AND DESIGN ING MOSES ARKOH	CHECKED BY MOSES ARKOH	SHEET No
-------------------------------------	---------------------------	----------

S/001