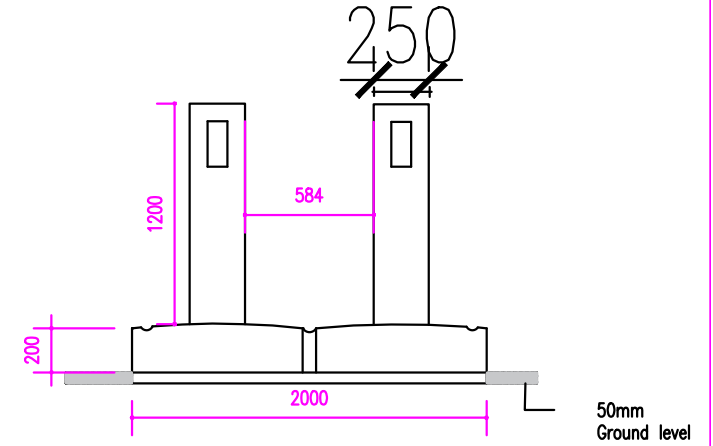
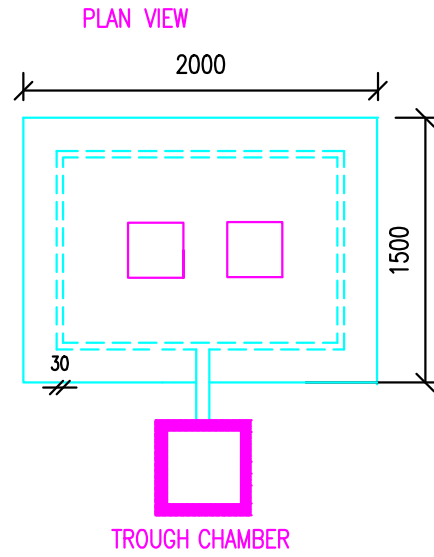
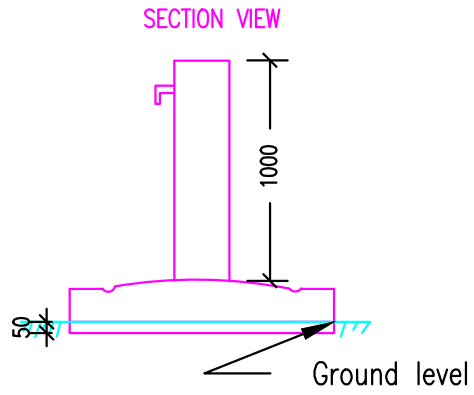


# STAND PIPE



## Reinforcement Details

