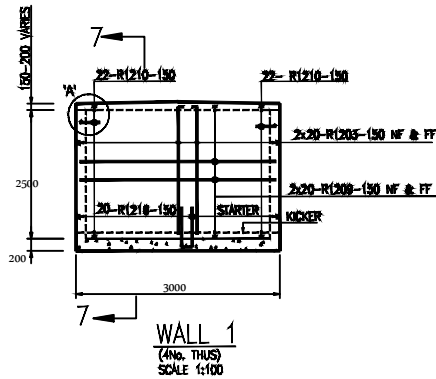
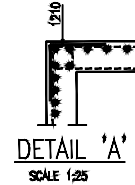


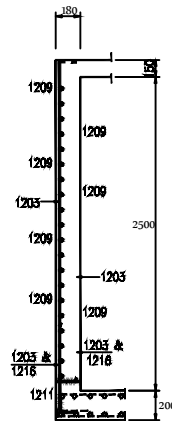
**ROOF SLAB**  
SCALE 1:100



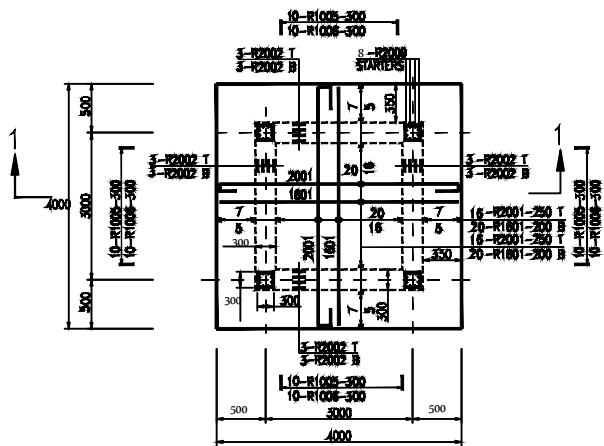
**WALL 1**  
(No. THUS)  
SCALE 1:100



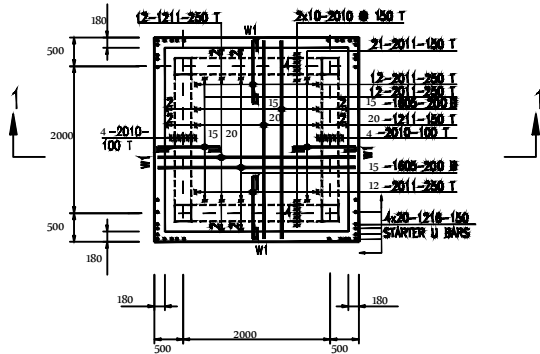
**DETAIL 'A'**  
SCALE 1:25



**7-7**  
SCALE 1:40



**FOUNDATION SLAB**  
SCALE 1:100



**FLOOR SLAB**  
SCALE 1:100

- NOTES:**
- DO NOT SCALE FROM DRAWINGS. ONLY FIGURED DIMENSIONS TO BE WORKED TO. WHEN IN DOUBT CONSULT THE ARCHITECT.
  - ALL DIMENSIONS ARE IN MILLIMETER (mm) UNO
  - FOR SIZES OF PIPE WORKS, REFER TO THE BILLS IN THE CONTRACT DOCUMENT

REVISIONS	DATE	BY
PROJECT: <b>SMALL TOWN WATER SUPPLY SYSTEM</b>		
CLIENT: GLOBAL COMMUNITIES		
CONTRACTOR:		
DRAWING TITLE: 20m <sup>3</sup> R.C. DETAIL ELEVATED WATER TANK		
SCALE 1:100	DATE APRIL 2023	
DESIGN: ING. MOSES ARKOH	DRAWING No: HLT/20m <sup>3</sup>	
DRAWN: ING. MOSES ARKOH	003	